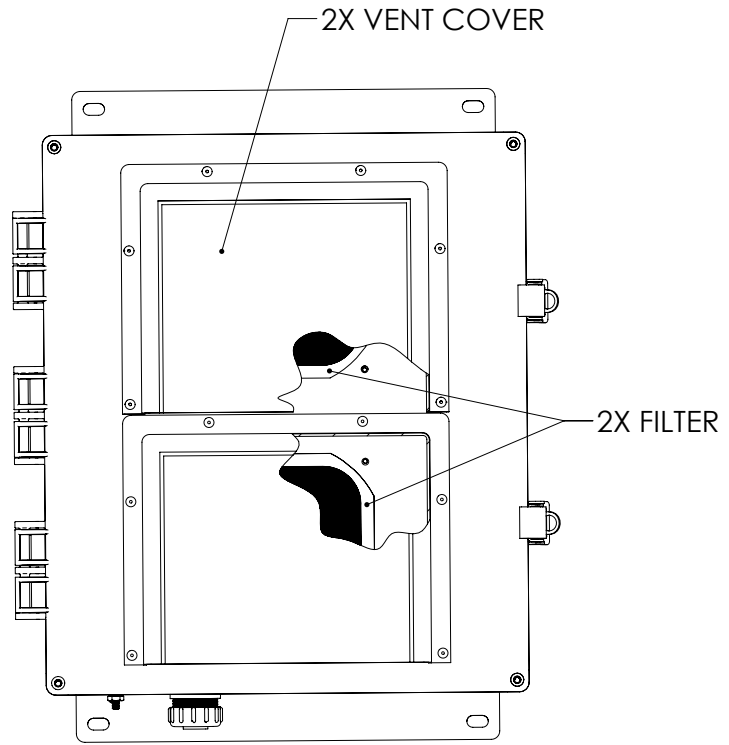
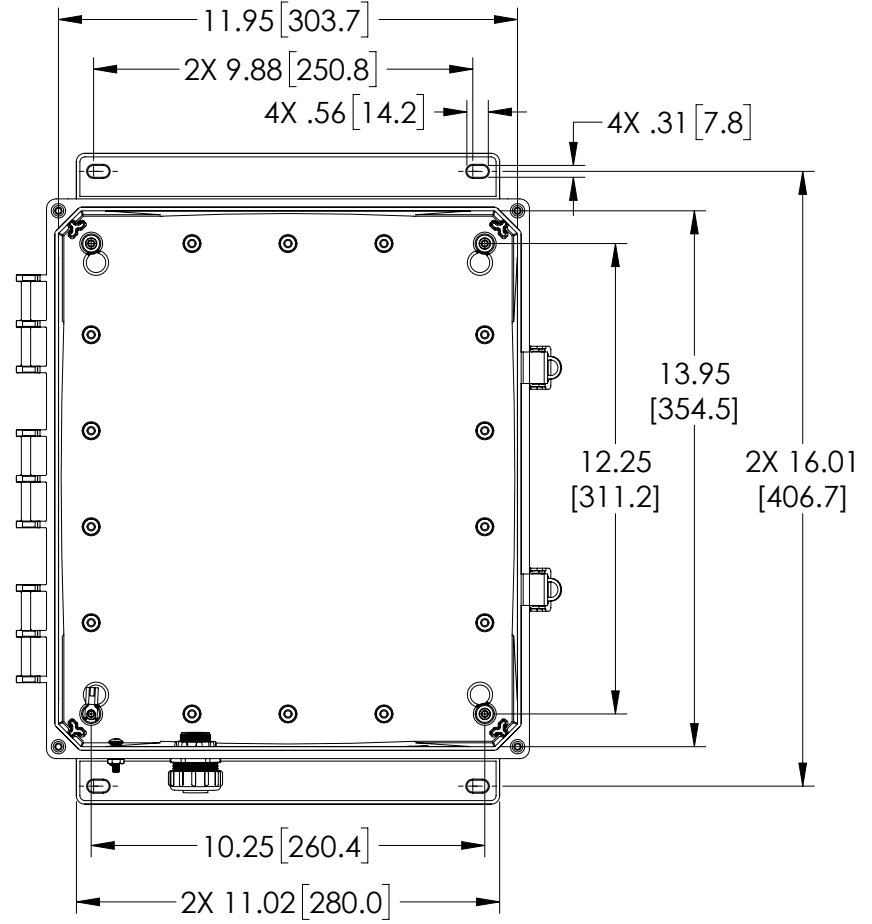


THE INFORMATION CONTAINED IN THIS DRAWING IS THE SOLE PROPERTY OF L-COM, INC. ANY REPRODUCTIONS IN PART OR WHOLE WITHOUT THE WRITTEN PERMISSION OF L-COM, INC. IS PROHIBITED.

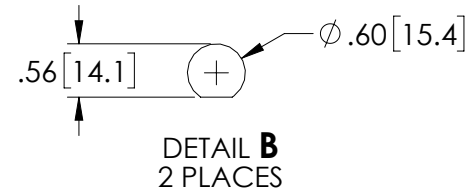
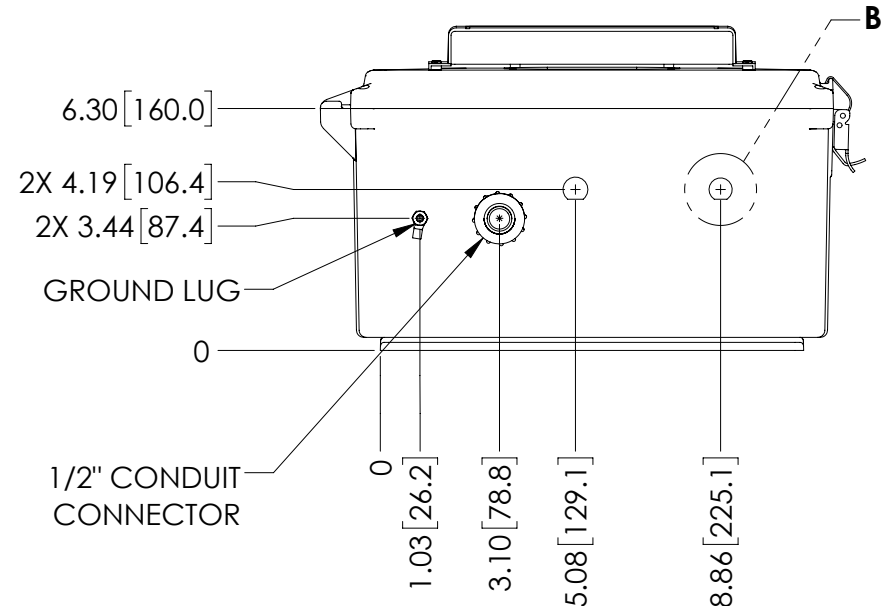
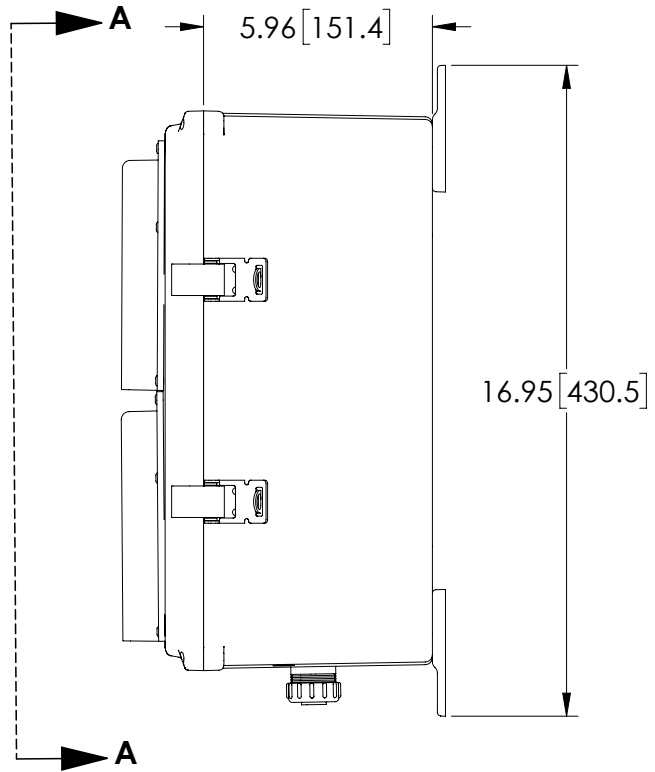
REVISIONS			
REV	DESCRIPTION	DATE	CHANGED BY
A	INITIAL RELEASE	05/15/2019	MMARTINEZ



VIEW A-A



LID NOT SHOWN IN THIS VIEW FOR CLARITY



- NOTES:
- ENCLOSURE MATERIAL-LIGHT GRAY (PANTONE 422C) HIGH-IMPACT, UV RESISTANT POLYCARBONATE.
 - TEMPERATURE RANGE: -40°F TO 265°F
 - CABINETS ARE MAINTENANCE FREE AND CORROSION RESISTANT.
 - SHALL BE PACKAGED AS PER L-COM SPEC
 - ALL DIMENSIONS FOR REFERENCE ONLY.

UNLESS OTHERWISE SPECIFIED, DIMENSIONS ARE IN INCHES [mm]

DIMENSIONAL TOLERANCES:
 ..X = ±.1 [2.54]
 .XX = ±.01 [.25]
 .XXX = ±.005 [.13]

ANGULAR TOLERANCES:
 ALL = ± 1°

PROJECTION

APPROVALS	DATE
DZINN	04/29/2019
DFRISIELLO	04/29/2019
MMARTINEZ	04/29/2019

CONFIGURATION DETAILS OF UNDIMENSIONED FEATURES MAY VARY

COLOR VARIATIONS MAY OCCUR

L-com Global Connectivity 50 HIGH STREET NORTH ANDOVER, MA 01845

CATEGORY: ENCLOSURE

PRODUCT DESCRIPTION: ENCL PC 14x12x06" w/Vented Lid & Modified Base

SIZE	FSCM NO.	DWG. NO.	REV.
B	43321	NBPC141206-03V	A

SCALE: 1:5 CAD FILE: NBPC141206-03V.SLDDRW SHEET 1 OF 1