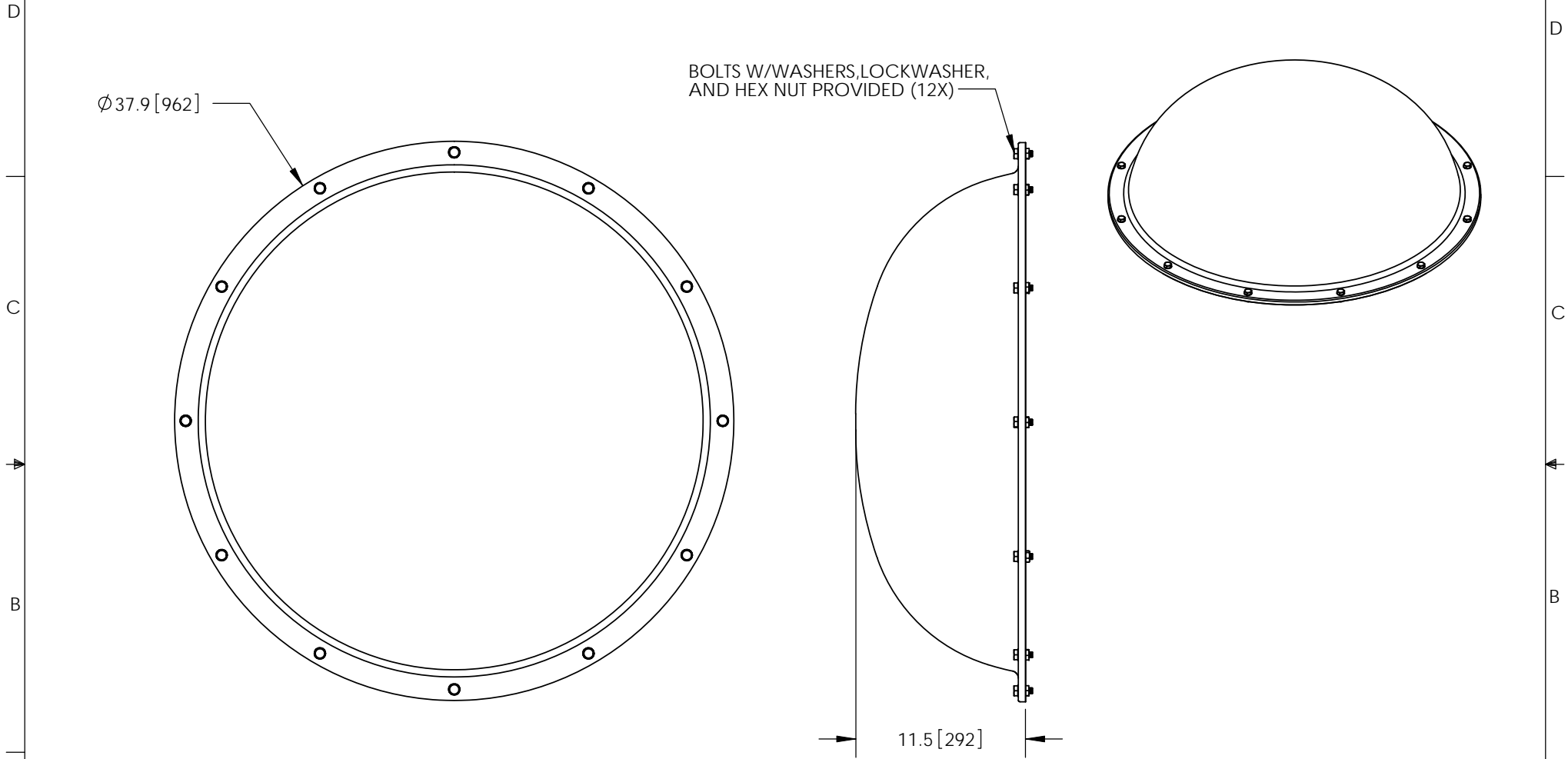


THE INFORMATION CONTAINED IN THIS DRAWING IS THE SOLE PROPERTY OF L-COM, INC. ANY REPRODUCTION IN PART OR WHOLE WITHOUT THE WRITTEN PERMISSION OF L-COM, INC. IS PROHIBITED.

REVISIONS			
REV	DESCRIPTION	DATE	APPROVED
A	INITIAL RELEASE	07/14/11	B.PUCHASKI



NOTES:
 PACKAGING:
 COMPONENT SHALL BE PACKAGED IN ACCORDANCE
 WITH L-COM SPEC PKG-00026

RoHS Compliant ✓

UNLESS OTHERWISE SPECIFIED, DIMENSIONS ARE IN INCHES [mm] DIMENSIONAL TOLERANCES: .X = ±.1 .XX = ±.01 .XXX = ±.005 ANGULAR TOLERANCES: ALL = ± 1°	APPROVALS DRAWN BY B.PUCHASKI	DATE 07/14/11		45 BEECHWOOD DRIVE NORTH ANDOVER, MA 01845		
	CHECKED BY T. VADEN	DATE 07/14/11		CATEGORY ANTENNA		
	APPROVED BY P.PESA	DATE 07/14/11	PRODUCT DESCRIPTION 900mm DIAMETER RADOME COVER FOR PARABOLIC DISH ANTENNA			
PROJECTION 	CONFIGURATION DETAILS OF UNDIMENSIONED FEATURES MAY VARY	COLOR VARIATIONS MAY OCCUR	SIZE A	FSCM NO. 43321	DWG. NO. HGR-09	REV. A
			SCALE: NONE	CAD FILE: HGR-09.SLDDRW	SHEET 1 OF 1	