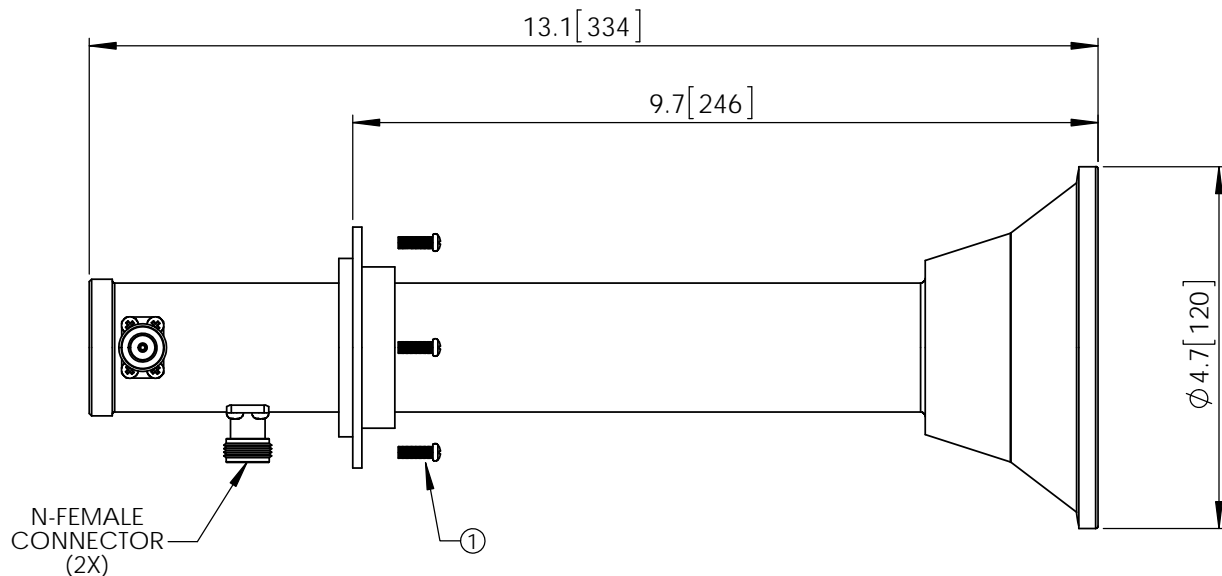
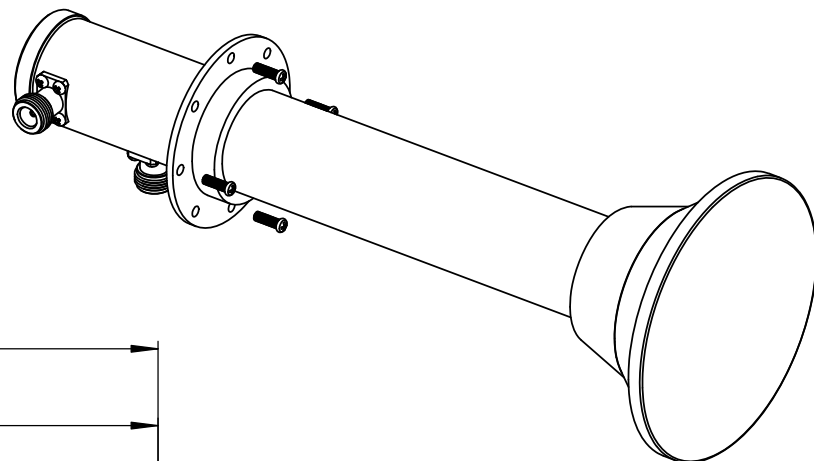


THE INFORMATION CONTAINED IN THIS DRAWING IS THE SOLE PROPERTY OF L-COM, INC. ANY REPRODUCTION IN PART OR WHOLE WITHOUT THE WRITTEN PERMISSION OF L-COM, INC. IS PROHIBITED.

REVISIONS			
REV	DESCRIPTION	DATE	APPROVED
A	INITIAL RELEASE	8/20/13	D.GRIFFIN
B	ECN7844 ADDED HARDWARE CHART	03/24/15	B.PUCHASKI

HARDWARE SUPPLIED		
PART#	DESCRIPTION	QUANTITY
1	M4 X 12 SS304 PHILLIPS PH MS	4



NOTES:

PACKAGING:
COMPONENT SHALL BE PACKAGED IN ACCORDANCE WITH L-COM SPEC PKG-00012.

- ALL DIMENSIONS FOR REFERENCE ONLY -

REGULATORY COMPLIANCE:
CE2011/65/EU(RoHS DIRECTIVE)

UNLESS OTHERWISE SPECIFIED, DIMENSIONS ARE IN INCHES [mm]	APPROVALS	DATE		45 BEECHWOOD DRIVE NORTH ANDOVER, MA 01845
	DRAWN BY B.PUCHASKI	07/31/13		
DIMENSIONAL TOLERANCES: .X = ±.1 [2.54] .XX = ±.01 [.25] .XXX = ±.005 [.13]	CHECKED BY P.PESA	07/31/13	CATEGORY ANTENNA	
	APPROVED BY P.PESA	07/31/13	PRODUCT DESCRIPTION ANTENNA FEED HORN REPLACEMENT 5GHz 30dBi	
ANGULAR TOLERANCES: ALL = ± 1°	CONFIGURATION DETAILS OF UNDIMENSIONED FEATURES MAY VARY		SIZE A	FSCM NO. 43321
PROJECTION 	COLOR VARIATIONS MAY OCCUR	DWG. NO. HGFH-530DPD	REV. B	SCALE: NONE
CAD FILE: HGFH-530DPD.SLDDRW			SHEET 1 OF 1	