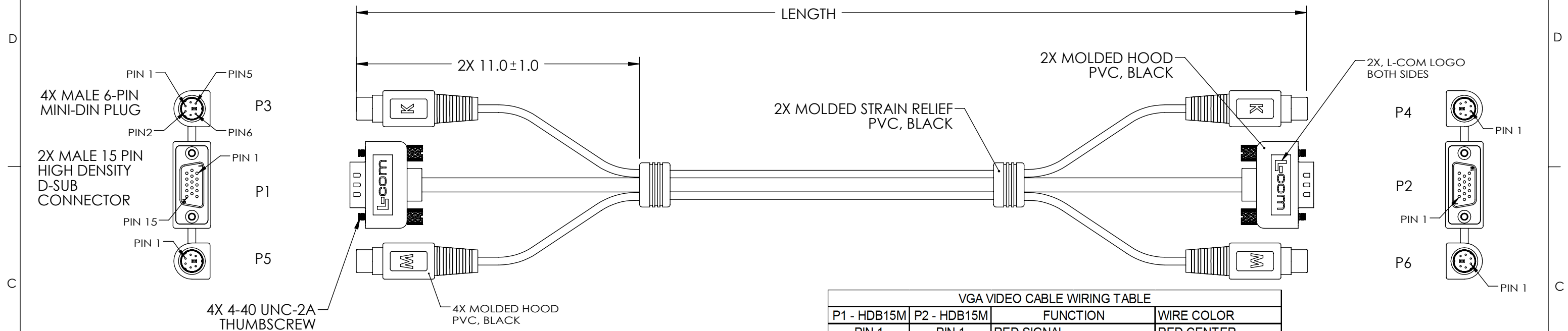


THE INFORMATION CONTAINED IN THIS DRAWING IS THE SOLE PROPERTY OF L-COM, INC. ANY REPRODUCTIONS IN PART OR WHOLE WITHOUT THE WRITTEN PERMISSION OF L-COM, INC. IS PROHIBITED.

REVISIONS			
REV	DESCRIPTION	DATE	CHANGED BY
F	ECN 4943: CN RELEASE AND NEW FORMAT	8/3/10	D.FRISIELLO
G	ECN 6638: ADDED PACKAGING AND ROHS STAMP, UPDATED LOGOS	1/25/13	D. DESJARDIN
H	ECN 9971: REMOVE PIN MARKING FROM CONNECTOR FACE P3,P4,P5 AND P6, REMOVE ROHS COMPLIANT STATEMENT	07/15/2019	B.GATES



**SPECIFICATIONS**

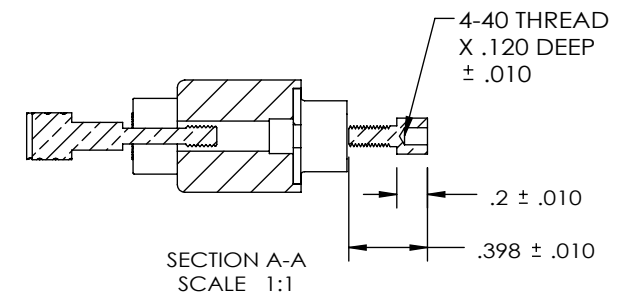
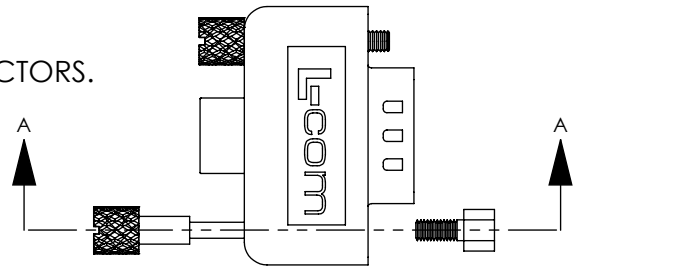
**VIDEO CABLE:**  
 UL STYLE 20276  
 COAXIAL CABLE: THREE 75Ω ,  
 32 AWG STRANDED COPPER CENTER CONDUCTORS.  
 5 PAIRS: 30 AWG STRANDED TINNED COPPER CONDUCTORS.  
 SHIELDING: ALUMINIZED POLYESTER FOIL AND  
 BRAIDED, TINNED COPPER  
 JACKET: PVC, BLACK

**KEYBOARD AND MOUSE CABLE:**  
 UL STYLE 20276  
 CONDUCTORS: SIX 28 AWG STRANDED  
 COPPER CONDUCTORS.  
 SHIELDING: ALUMINIZED POLYESTER SHIELD AND  
 BRAIDED, TINNED COPPER SHIELD.  
 JACKET: PVC, BLACK

**D-SUB CONNECTORS:**  
 INSULATOR: UL94V-0 THERMOPLASTIC  
 CONTACTS: GOLD PLATED  
 SHELL: TIN FINISH  
 THUMBSCREW: NICKEL PLATED

**MINI-DIN CONNECTORS:**  
 INSULATOR: UL94V-0 THERMOPLASTIC  
 CONTACTS: TIN PLATED  
 SHIELD: NICKEL PLATED

**MISCELLANEOUS:**  
 CABLE SHALL BE TESTED FOR CONTINUITY.  
 CABLE SHALL BE INDIVIDUALLY PACKAGED IN  
 ACCORDANCE WITH L-COM SPECIFICATION PS-0031.



CABLES ARE SHIPPED WITH THUMBSCREWS INSTALLED AND FOUR HEX SCREW LOCKS FOR OPTIONAL USE. THUMBSCREWS MAY BE REMOVED EASILY AND THE HEX SCREW LOCKS MOUNTED IN THE CAPTIVE NUTS OF THE CONNECTOR.

P1 - HDB15M	P2 - HDB15M	FUNCTION	WIRE COLOR
PIN 1	PIN 1	RED SIGNAL	RED CENTER
PIN 2	PIN 2	GREEN SIGNAL	GREEN CENTER
PIN 3	PIN 3	BLUE SIGNAL	BLUE CENTER
PIN 4	PIN 4	ID BIT 2	WHITE
PIN 5	PIN 5	GROUND	WHITE/BLACK
PIN 6	PIN 6	RED SHIELD	RED SHIELD
PIN 7	PIN 7	GREEN SHIELD	GREEN SHIELD
PIN 8	PIN 8	BLUE SHIELD	BLUE SHIELD
PIN 9	PIN 9	POWER	BLUE
PIN 10	PIN 10	SYNC SIGNAL RETURN	YELLOW & GREEN
PIN 11	PIN 11	ID BIT 0	RED
PIN 12	PIN 12	BI-DIRECTIONAL DATA	RED/BLACK
PIN 13	PIN 13	HORIZONTAL SYNC SIGNAL	BLUE/WHITE
PIN 14	PIN 14	VERTICAL SYNC SIGNAL	YELLOW/BLACK
PIN 15	PIN 15	DATA CLOCK	GREEN/BLACK
SHIELD	SHIELD	DRAIN WIRE	

MINI-DIN "K" WIRING TABLE		WIRE COLOR	MINI-DIN "M" WIRING TABLE	
P3 MALE MINI-DIN 6	P4 MALE MINI-DIN 6		P5 MALE MINI-DIN 6	P6 MALE MINI-DIN 6
PIN 1	PIN 1	WHITE	PIN 1	PIN 1
PIN 2	PIN 2	RED	PIN 2	PIN 2
PIN 3	PIN 3	BLACK	PIN 3	PIN 3
PIN 4	PIN 4	YELLOW	PIN 4	PIN 4
PIN 5	PIN 5	GREEN	PIN 5	PIN 5
PIN 6	PIN 6	BLUE	PIN 6	PIN 6
SHIELD	SHIELD	DRAIN	SHIELD	SHIELD

MODEL NUMBER	LENGTH FEET [METERS]
CTLKVMM-5T	5 [1.52]
CTLKVMM-10T	10 [3.05]
CTLKVMM-15T	15 [4.57]
CTLKVMM-25T	25 [7.62]
CTLKVMM-50T	50 [15.24]

UNLESS OTHERWISE SPECIFIED, DIMENSIONS ARE IN INCHES [mm]  
 OVERALL CABLE LENGTH TOLERANCE:  
 ≤12 [305] = +1 [25] / -0  
 >12 [305] ≤60 [1524] = +2[51] / -0  
 >60 [1524] ≤120 [3048] = +4 [102] / -0  
 >120 [3048] ≤300 [7620] = +6 [152] / -0  
 >300 [7620] = +5% / -0%  
 ALL OTHER DIMENSIONAL TOLERANCES:  
 .X = ±.02[.51]  
 .XX = ±.01[.25]  
 .XXX = ±.005[.13]

APPROVALS	DATE
DRAWN BY D.PARHAM	7/16/2001
CHECKED BY T.CLARK	7/17/2001
APPROVED BY D.DOLCE	12/12/2001

**L-com** Global Connectivity  
 50 HIGH STREET  
 NORTH ANDOVER, MA  
 01845

CATEGORY		AUDIO/VIDEO	
PRODUCT DESCRIPTION			
CABLE, KVM HD15,(2) MD6 M/M			
SIZE	FSCM NO.	DWG. NO.	REV.
<b>B</b>	<b>43321</b>	CTLKVMM	<b>H</b>
SCALE: 1:1.5		CAD FILE: CTLKVMM.SLDRW	SHEET 1 OF 1

